

T1X BEAM



CINDY®



• OPTICAL

Light Source	Osram Sirius 140W Lamp
Color Temperature	7,000K
Beam Angle	3°
Luminaire Output	4,300lm
Illuminance	32,000lux @ 20m

• DYNAMIC EFFECT

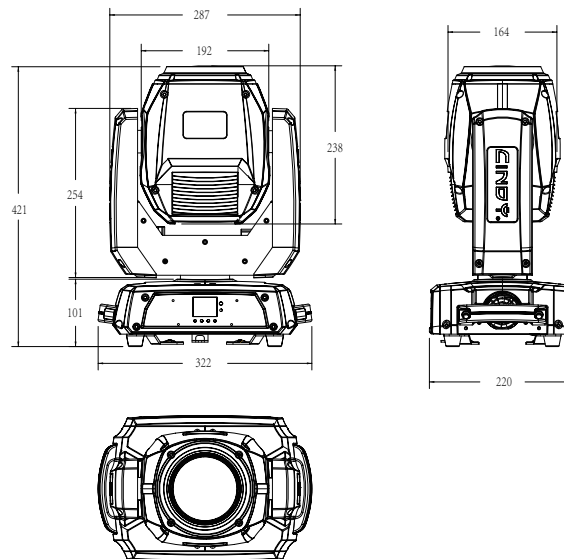
Selectable Pan Ranges	180°, 360°, 540°
Selectable Tilt Ranges	90°, 180°, 270°
Colors	14 colors +white, split colors, rainbow effects at variable speeds.
Gobos	17 static metal gobos+open, rainbow effects at variable speeds.
Dimmer	0-100% electronics
Strobe	0-15Hz, selectable multiple strobe effects with different speeds.
Focus	Motorized
Prism	16-facet prism, rotating at variable speeds.

• ELECTRONIC/OPERATION TEMPERATURE

Input Voltage	100V-240V, 50/60Hz
Power	297W
Temperature (Ambient)	-5° to 45°

• CONTROL/CONNECTION

Control Protocol	DMX, RDM
DMX Channels	7, 13
3 pin XLR input/output	



Size	322*220*421mm
Weight	12KG
Housing Colors	Black
Housing Material	High-impact flame-retardant polymer

