

T6 PROFILE



CINDY®

● OPTICAL

Light Source	480W high CRI white LED module
CRI	>90
Color Temperature	6,500K
Beam Angle	13-39°
Luminaire Output	14,000lm
Illuminance (13°)	15,300lux @ 5m
Illuminance (39°)	2,750lux @ 5m
PWM Options	600Hz, 1200Hz, 2000Hz, 4000Hz, 6000Hz, 15000Hz

● DYNAMIC EFFECT

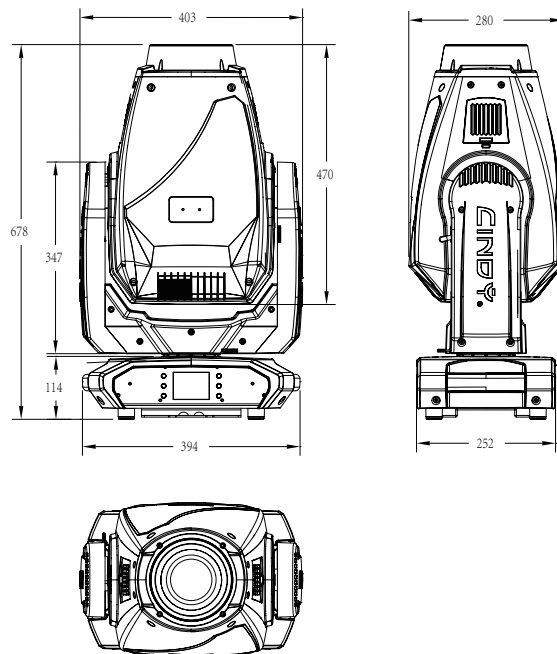
Selectable Pan Ranges	180°, 360°, 540°
Selectable Tilt Ranges	90°, 180°, 270°
Colors	7 colors +white, split colors, rainbow effects at variable speeds.
Colors	CMY, CTO
Gobos 1	6 rotating glass gobos+open, interchangeable gobos, indexing, rainbow effects at variable speeds.
Gobos 2	6 rotating glass gobos+open, interchangeable gobos, indexing, rainbow effects at variable speeds.
Framing Shutters	4 individual shutter blades, rotation of module is 90°
Dimmer	0-100% electronics, 4 dimming curves options.
Strobe	0-25Hz, selectable multiple strobe effects with different speeds.
Focus	Motorized
Zoom	Motorized
Frost	Motorized
Iris	Motorized
Prism	3-facet prism, rotating at variable speeds.

● ELECTRONIC/OPERATION TEMPERATURE

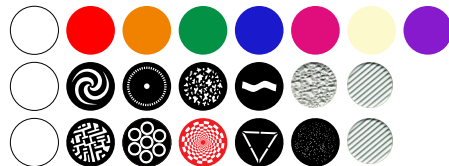
Input Voltage	100V-240V, 50/60Hz
Power	730W
Temperature (Ambient)	-5° to 45°

● CONTROL/CONNECTION

Control Protocol	DMX, RDM, ArtNet, sACN, WDMX(*optional)
DMX Channels	33, 50
3 pin/5 pin XLR input/output, ethernet input/output	



Size	403*280*678mm
Weight	32KG
Housing Colors	Black
Housing Material	High-impact flame-retardant polymer



Products are constantly updated, subject to the actual product without notice