

# TOUGH 500 beam



## SPECIFICATION

### OPTICAL

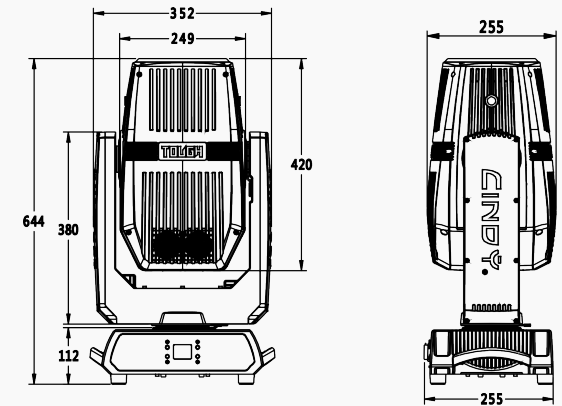
Light Source	Ushio 400W lamp
Color Temperature	7,000K
Beam Angle	1.6°
Luminaire Output	12,500lm
Illuminance	160,000lux@20m

### PHYSICAL

Size	352*255*644mm
Weight	23KG
Housing Colors	Black
Housing material	Aluminum alloy
IP Rated	IP65

### DYNAMIC EFFECT

Selectable Pan Ranges	180°, 360°, 540°
Selectable Tilt Ranges	90°, 180°, 270°
Colors	13+white, split colors, rainbow effects at variable speeds
Gobos	17 static metal gobos+open, rainbow effects at variable speeds
Dimmer	0-100% electronics
Strobe	0-15Hz, selectable multiple strobe effects with different speeds
FOCUS	Motorized
Prism 1	8-facet prism, rotating at variable speeds
Prism 2	6-facet prism, rotating at variable speeds



### ELECTRONIC/OPERATION TEMPERATURE

Input Voltage	AC 100V-240V, 50/60Hz
Power	570 W
Temperature (Ambient)	-5° to 45°

### Colors



### CONTROL/CONNECTION

Control Protocol	DMX, RDM
DMX Channels	16, 18
IP65 rated 3 pin XLR input/output	
USB update enabled	

### Gobos

