

# TOUGH 500 HYBRID



## SPECIFICATION

### OPTICAL

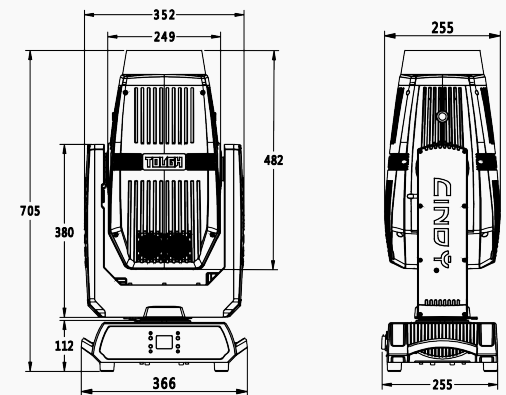
Light Source	Ushio 400W lamp
Color Temperature	6,600K
Beam angle (spot mode)	4° -36°
Beam angle (beam mode)	1.8° -21°
Luminaire Output	12,000lm
Illuminance	115,000lux@20m

### PHYSICAL

Size	352*255*705mm
Weight	24KG
Housing Colors	Black
Housing material	Aluminum alloy
IP Rated	IP65

### DYNAMIC EFFECT

Selectable Pan Ranges	180°, 360°, 540°
Selectable Tilt Ranges	90°, 180°, 270°
Colors	13+white, split colors, rainbow effects at variable speeds
Gobos1	9 rotating glass gobos+open, indexing, rainbow effects at variable speeds.
Gobos2	17 static metal gobos+open, rainbow effects at variable speeds
Dimmer	0-100% electronics
Strobe	0-15Hz, selectable multiple strobe effects with different speeds
Focus	Motorized
Zoom	Motorized
Frost	Motorized
Prism 1	8-facet prism, rotating at variable speeds.
Prism 2	6-facet prism, rotating at variable speeds



### ELECTRONIC/OPERATION TEMPERATURE

Input Voltage	AC 100V-240V, 50/60Hz
Power	600W
Temperature (Ambient)	-5° to 45°

### Colors



### Gobos1



### Gobos2



### CONTROL/CONNECTION

Control Protocol	DMX, RDM
DMX Channels	21, 26
IP65 rated 3 pin XLR input/output	
USB update enabled	