

T-200 LED SPOT

CINDY®



OPTICAL

Light Source	200W white LED
Color Temperature	15,000K
Beam Angle	12° -24°
Luminaire Output	9,500lm
Illuminance (12°)	6,850lux @ 5m
Illuminance (24°)	3,680lux @ 5m

DYNAMIC EFFECT

Selectable Pan Ranges	180°, 360°, 540°
Selectable Tilt Ranges	90°, 180°, 270°
Colors	7 +white, split colors, rainbow effects at variable speeds.
Gobo	7 rotating metal gobos+open, interchangeable gobos, indexing, rainbow effects at variable speeds.
Dimmer	0-100% electronics, 4 dimming curves options.
Strobe	0-25Hz, selectable multiple strobe effects with different speeds.
Focus	Motorized
Zoom	Motorized
Prism1	6-facet prism, rotating at variable speeds.
Prism2	5-facet prism, rotating at variable speeds.

Colors



Gobos



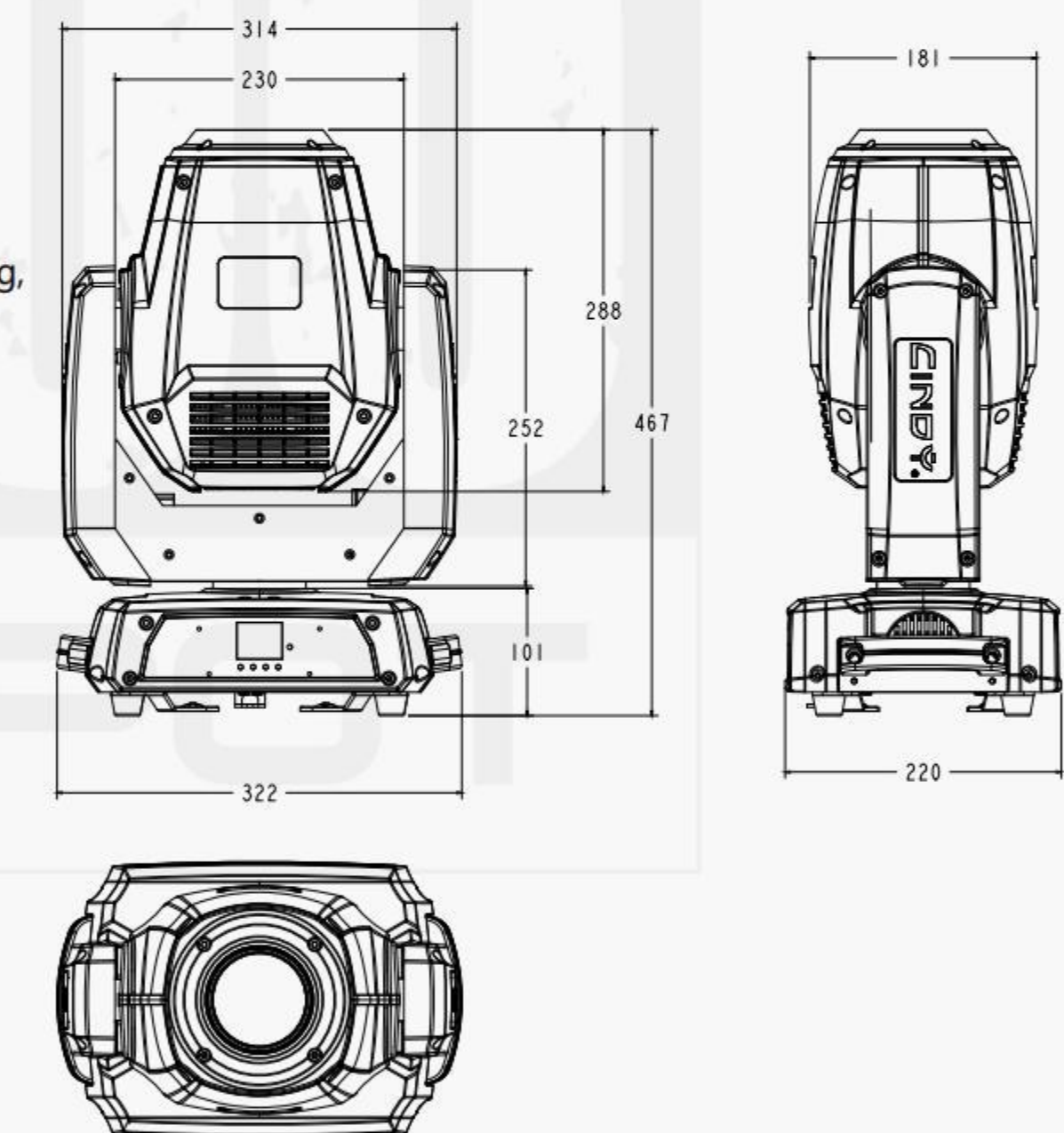
ELECTRONIC/OPERATION TEMPERATURE

Input Voltage	100V-240V, 50/60Hz
Power	285W
Temperature (Ambient)	-5° to 45°

CONTROL/CONNECTION

Control Protocol	DMX
DMX Channels	9, 15

3 pin XLR input/output



PHYSICAL

Size	322*220*467mm
Weight	13KG
Housing Colors	Black
Housing Material	High-impact flame-retardant polymer